

MRP LINE

Standard range dedicated
to servo-applications requiring precision,
robustness and economy

Up to 290 Nm rated

- Satellite gears are cantilever supported on hardened and ground shafts
- Output shaft is supported by 2 ball bearings in order to increase radial load capability and lifetime
- Backlash: from 15 to 8 arc-minutes
- Output end mounting face features 8 threaded holes
- Efficiency: from 91% to 96%*
- Up to 13 standard ratios / custom ratios available
- Great choice of output interfaces (8 threaded mounting face holes & shaft hole)
- Easy 1 minute clamping onto any motor shaft (self-locating input flange)
- Standard case temperature range is -20°C to $+90^{\circ}\text{C}$ - Consult us for higher or lower temperature use
- Protection rated IP 54 standard
- Optional lubrication for food-processing or pharmaceutical industries
- Estimated life time 20.000 hours

*depending upon ratio and size



MRP 050

Technical characteristics

Number of stages		1 - Stage						2 - Stages					
Ratio ⁽¹⁾		4	5	7	10	16	20	25	35	40	50	70	100
INPUT													
Rated / max speed	rpm	4 000 / 6 000 (consult us if you require higher input speed)											
Rated power	Kw	0.67	0.54	0.29	0.21	0.21	0.13	0.13	0.08	0.04	0.04	0.04	0.04
Rated torque	Nm	1.6	1.3	0.7	0.5	0.5	0.3	0.3	0.2	0.1	0.1	0.1	0.1
Accel. torque	Nm ⁽²⁾	3.1	2.5	1.5	1	0.8	0.6	0.5	0.3	0.3	0.2	0.2	0.1
OUTPUT													
Rated torque	Nm	6	6	5	5	7	6	6	5	5	5	5	5
Accel. torque	Nm ⁽²⁾	12	12	10	10	12	12	12	10	10	10	10	10
GENERAL CHARACTERISTICS													
Inertia	Kgm ² x10 ⁻⁵ ⁽³⁾	0.69	0.63	0.56	0.52	0.67	0.67	0.60	0.54	0.52	0.52	0.52	0.51
Max. backlash	arc-min.	12						15					
Efficiency	% ⁽⁴⁾	96						91					
Expected life time	Hours							20 000					
Weight	Kg	0.9						1.2					
Radial load	N ⁽⁵⁾							700					
Axial load	N							700					

¹⁾ Other ratios are possible, do not hesitate to contact us

²⁾ S5 duty service

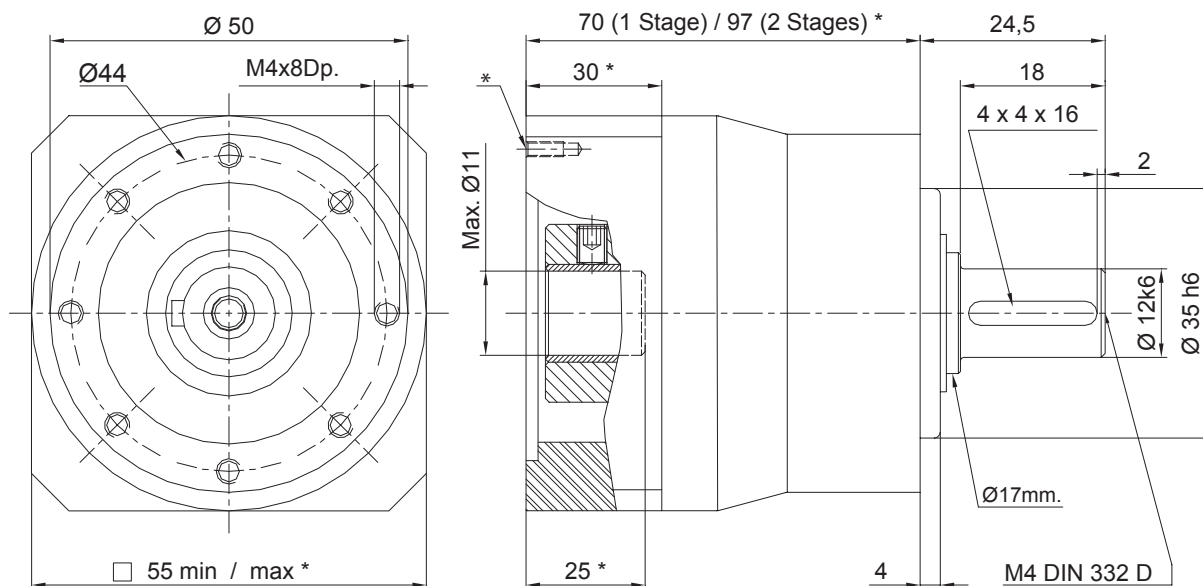
³⁾ On the motorside

⁴⁾ Gear efficiency at rated torque

⁵⁾ Load applied in the middle of the output shaft at 300rpm

NOTE : Emergency stop torque is 2.5 times rated output torque for 1000 times max during the life of the gearhead.

Dimensions (mm)



*Depends upon ratio and motor / Product range can be subject to changes without notice

Download 3D drawings from www.mijno.com

MRP 070

Technical characteristics

Number of stages		1 - Stage					2 - Stages								
Ratio ⁽¹⁾		3	4	5	7	10	16	20	25	35	40	50	70	100	
INPUT															
Rated / max speed	rpm	4 000 / 6 000 <i>(consult us if you require higher input speed)</i>													
Rated power	Kw	1.5	1.1	0.9	0.7	0.4	0.6	0.4	0.3	0.2	0.2	0.2	0.1	0.05	
Rated torque	Nm	5.5	4.2	3.3	2.2	1.5	1.3	0.8	0.7	0.4	0.4	0.3	0.2	0.1	
Accel. torque	Nm ⁽²⁾	11	8.3	6.6	4.3	3	2.1	1.7	1.4	0.9	0.7	0.6	0.6	0.3	
OUTPUT															
Rated torque	Nm	16	16	16	15	15	20	16	16	15	15	15	15	15	
Accel. torque	Nm ⁽²⁾	32	32	32	29	29	32	32	32	29	29	29	29	29	
GENERAL CHARACTERISTICS															
Inertia	Kgm ² x10 ⁻⁵ ⁽³⁾	4.18	3.44	3.21	3.01	2.91	3.18	3.17	3.04	2.93	2.87	2.87	2.87	2.87	
Max. backlash	arc-min.	12					15								
Efficiency	% ⁽⁴⁾	96					91								
Expected life time	Hours							20 000							
Weight	Kg	1.5					2								
Radial load	N ⁽⁵⁾							1 500							
Axial load	N							1 500							

¹⁾ Other ratios are possible, do not hesitate to contact us

²⁾ S5 duty service

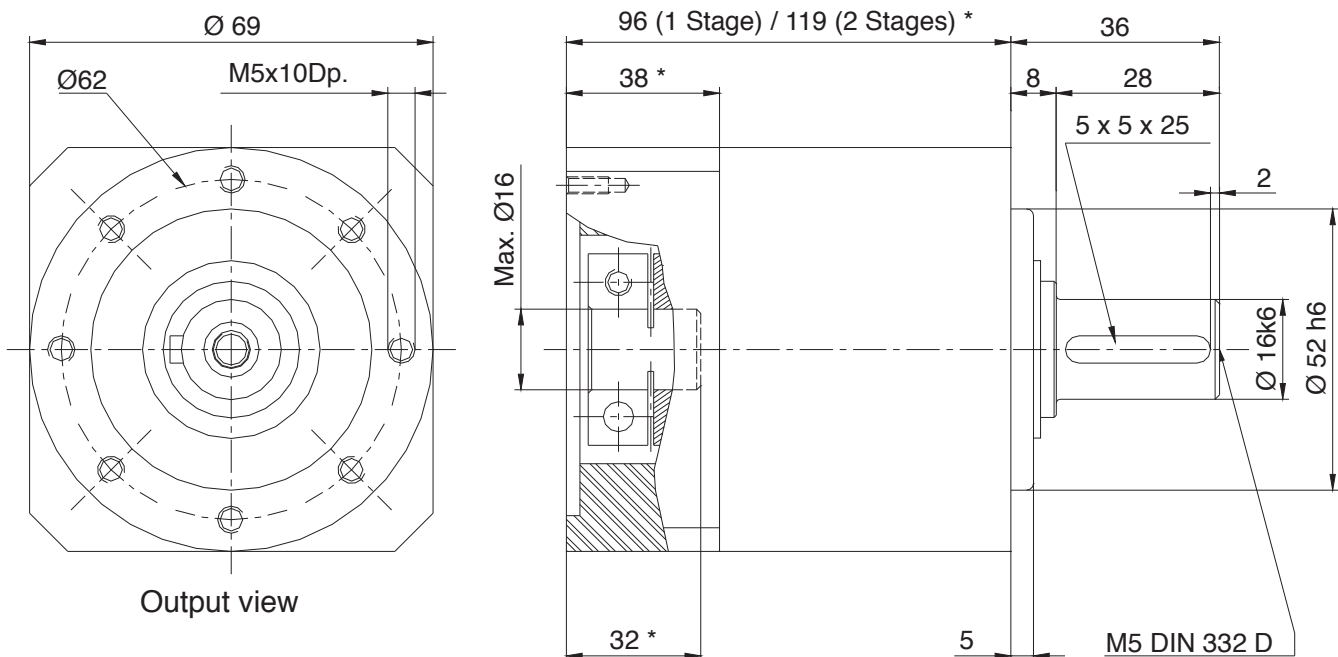
³⁾ On the motorside

⁴⁾ Gear efficiency at rated torque

⁵⁾ Load applied in the middle of the output shaft at 300rpm

NOTE : Emergency stop torque is 2.5 times rated output torque for 1000 times max during the life of the gearhead.

Dimensions (mm)



*Depends upon ratio and motor / Product range can be subject to changes without notice

Download 3D drawings from www.mijno.com

MRP 090

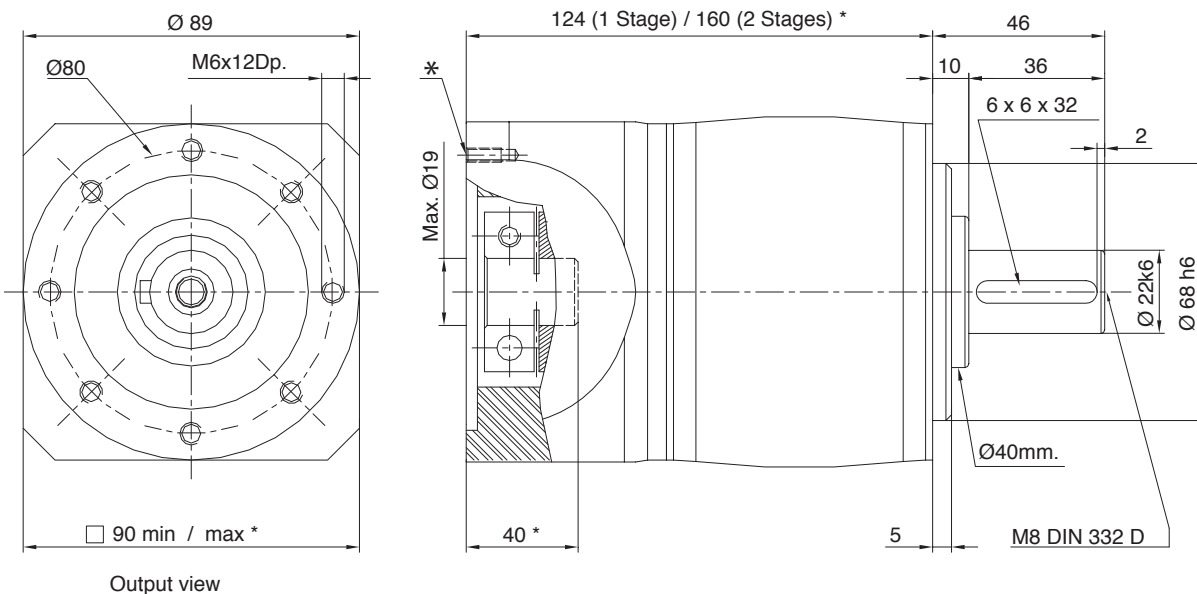
Technical characteristics

Number of stages		1 - Stage					2 - Stages									
Ratio ⁽¹⁾		3	4	5	7	10	16	20	25	35	40	50	70	100		
INPUT																
Rated / max speed	rpm	3 500 / 6 000 (consult us if you require higher input speed)														
Rated power	Kw	6.2	4.7	4	2.5	1.2	1.3	1	0.7	0.5	0.5	0.4	0.3	0.1		
Rated torque	Nm	17	13	11	7	3.5	3.5	2.8	1.8	1.5	1.3	1	0.6	0.4		
Accel. torque	Nm ⁽²⁾	28	21	17	11	7.5	5.5	4.5	3.5	2.5	2	2	1	0.8		
OUTPUT																
Rated torque	Nm	50	50	50	45	35	50	50	50	50	50	50	35	35		
Accel. torque	Nm ⁽²⁾	80	80	80	72	72	80	80	80	80	80	80	72	72		
GENERAL CHARACTERISTICS																
Inertia	Kgm ² x10 ⁻⁵ ⁽³⁾	13.67	10.9	9.94	9.15	8.74	10	9.97	9.34	8.84	8.60	8.59	8.58	8.58		
Max. backlash	arc-min.	10					12									
Efficiency	% ⁽⁴⁾	96					91									
Expected life time	Hours								20 000							
Weight	Kg	3					4									
Radial load	N ⁽⁵⁾								2 500							
Axial load	N								2 000							

- ¹⁾ Other ratios are possible, do not hesitate to contact us
²⁾ S5 duty service
³⁾ On the motorside
⁴⁾ Gear efficiency at rated torque
⁵⁾ Load applied in the middle of the output shaft at 300rpm

NOTE : Emergency stop torque is 2.5 times rated output torque for 1000 times max during the life of the gearhead.

Dimensions (mm)



*Depends upon ratio and motor / Product range can be subject to changes without notice
 Download 3D drawings from www.mijno.com

MRP 120

Technical characteristics

Number of stages		1 - Stage					2 - Stages									
Ratio ⁽¹⁾		3	4	5	7	10	16	20	25	35	40	50	70	100		
INPUT																
Rated / max speed	rpm	3 000 / 5 000 (consult us if you require higher input speed)														
Rated power	Kw	15	12	8.5	5	3	3	2.5	2	1.5	1	0.8	0.6	0.3		
Rated torque	Nm	54	42	30	18	9.5	11	9	7	5	4	3	2	1		
Accel. torque	Nm ⁽²⁾	69	52	41	47	19	14	13	11	8	6	5	3	2		
OUTPUT																
Rated torque	Nm	155	160	145	120	90	160	163	159	159	145	136	127	91		
Accel. torque	Nm ⁽²⁾	200	200	200	180	180	205	235	250	255	215	225	180	180		
GENERAL CHARACTERISTICS																
Inertia	Kgm ² x10 ⁻⁵ ⁽³⁾	54.03	42.88	39.43	36.32	34.83	40.73	40.52	37.92	35.55	34.48	34.45	34.42	34.40		
Max. backlash	arc-min.	10					12									
Efficiency	% ⁽⁴⁾	96					91									
Expected life time	Hours							20 000								
Weight	Kg	7					9									
Radial load	N ⁽⁵⁾							4 500								
Axial load	N							4 000								

¹⁾ Other ratios are possible, do not hesitate to contact us

²⁾ S5 duty service

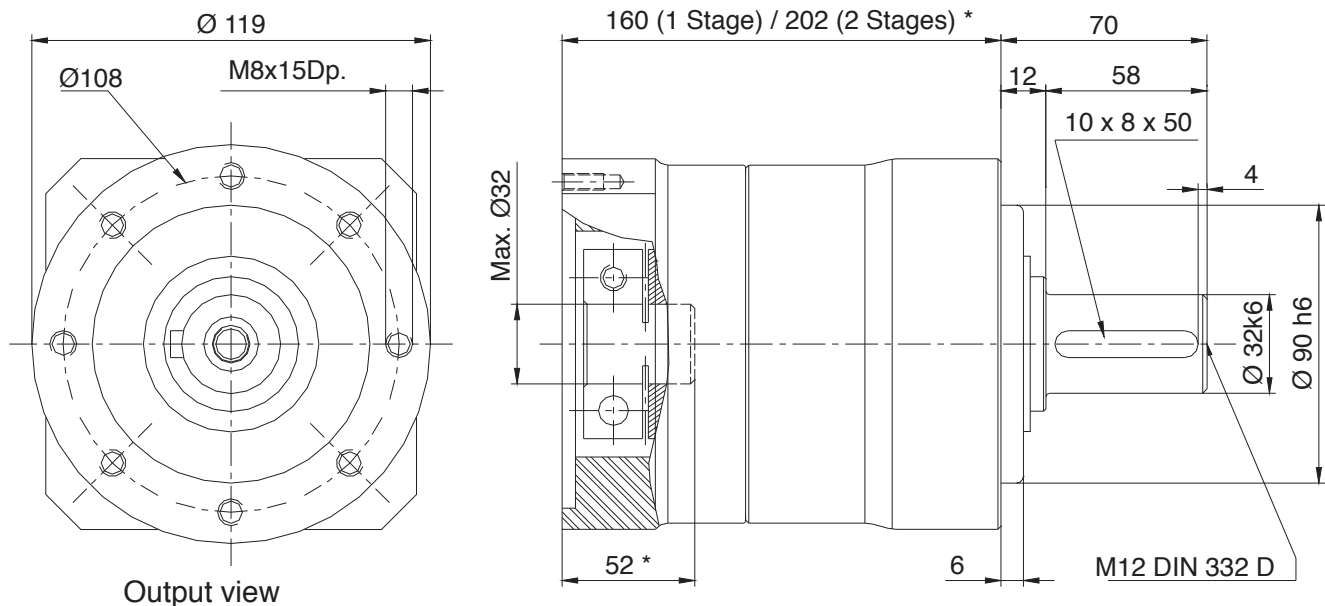
³⁾ On the motorside

⁴⁾ Gear efficiency at rated torque

⁵⁾ Load applied in the middle of the output shaft at 300rpm

NOTE : Emergency stop torque is 2.5 times rated output torque for 1000 times max during the life of the gearhead.

Dimensions (mm)



*Depends upon ratio and motor / Product range can be subject to changes without notice

Download 3D drawings from www.mijno.com

Consult us if the solution you are looking for cannot be found in our regular catalog. Our design department can create a custom gearbox most adapted to your needs.

MRP 155

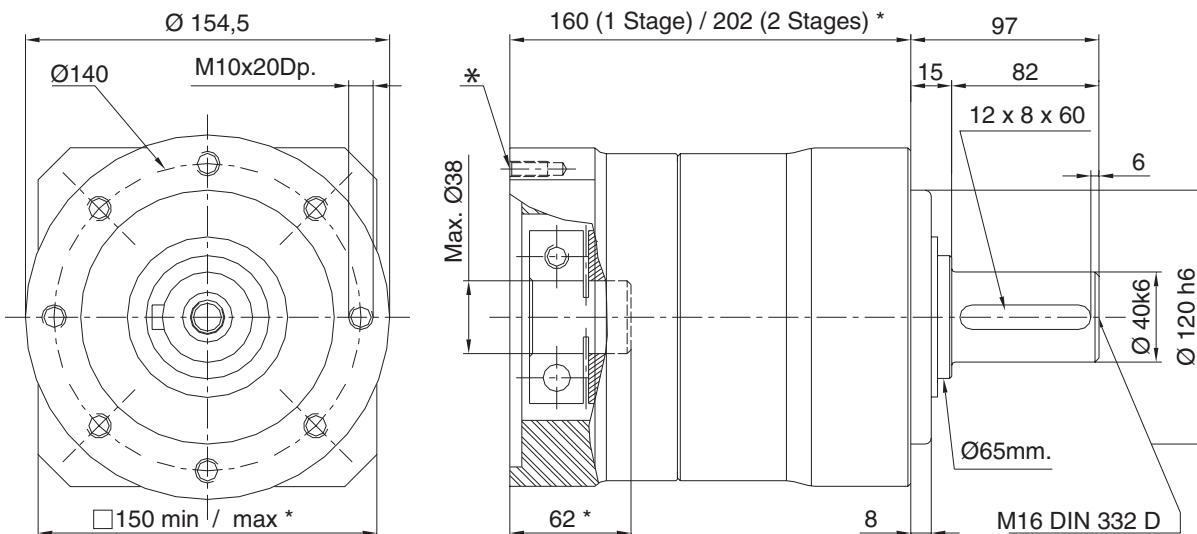
Technical characteristics

Number of stages		1 - Stage					2 - Stages									
Ratio ⁽¹⁾		3	4	5	7	10	16	20	25	35	40	50	70	100		
INPUT																
Rated / max speed	rpm	2 000 / 4 000 (consult us if you require higher input speed)														
Rated power	Kw	15	16	13	8	4	4	3.5	3	2	1.5	1.5	0.8	0.4		
Rated torque	Nm	73	76	61	38	18	20	16	13	9	7	6	4	2		
Accel. torque	Nm ⁽²⁾	139	104	83	52	33	27	22	17	12	11	8	5	3		
OUTPUT																
Rated torque	Nm	210	290	290	255	170	290	290	290	270	250	250	230	170		
Accel. torque	Nm ⁽²⁾	400	400	400	350	320	400	400	400	400	400	400	320	320		
GENERAL CHARACTERISTICS																
Inertia	Kgm ² x10 ⁻⁵ ⁽³⁾	160	121	109	98	93	111	111	102	95	91	91	91	91		
Max. backlash	arc-min.	10					12									
Efficiency	% ⁽⁴⁾	96					91									
Expected life time	Hours								20 000							
Weight	Kg	10					15									
Radial load	N ⁽⁵⁾								7 500							
Axial load	N								6 000							

- ¹⁾ Other ratios are possible, do not hesitate to contact us
²⁾ S5 duty service
³⁾ On the motorside
⁴⁾ Gear efficiency at rated torque
⁵⁾ Load applied in the middle of the output shaft at 300rpm

NOTE : Emergency stop torque is 2.5 times rated output torque for 1000 times max during the life of the gearhead.

Dimensions (mm)



*Depends upon ratio and motor / Product range can be subject to changes without notice
 Download 3D drawings from www.mijno.com